

CRW9-T-FC01M Fan Coil Thermostats

Description

This Fan coil thermostats are widely used in all commercial and residential buildings room temperature control, accuracy control provides you comfortable environment, and have the effect of saving energy and reducing up to 30% power consumption.

External Sensor (Change over or remote temperature)
(NTC 10k, N/O Occupancy contact) .

The power supply is 230 VAC.



Order Code	2/4 Pipe FCU	Communication	Output	Inputs
• CRW9-T-FC01M	2 /4 Pipe	MODbus	Fan 230V / 3 Steps Actuator 230V/ 2xON/OFF	NTC 10k N/O Occupancy Contact

Application

This universal thermostats work with :

- » 2-pipe/4-pipe fan coil units + Floor Heating/DX Unit Compressor+ Electric heat 3-speed Fan.
- » 3-speed fan.
- » ON/OFF valves.
- » Modbus cummunication (Model No. With M only)
- » Dry contact for window or door, Hotel card holder.
- » External sensor for air or pipe temperature.

Technical data

Specification

Power supply	230 VAC±10%, 50/60 Hz
Temperature setting range	5-35°C
Temperature accuracy	± 0.5°C
Temperature control Accuracy	± 1°C
Fan type	3-speed fan
Relay Rating	5A
Valve Control	Up to 2 pcs ON/OFF valves
Remote Sensor Type	NTC 10k, B=3950
Communication	Modbus 4800,9600,19200bps baud rate
Dry contact	Dry Contact for window, door or hotel card holder
Storage temperature	-20C~60C, Operating temperature: 0~50°C
Max Humidity	5~95%
Power consumption	<2W
Grade of protection	IP30
Backlight	White
Installation type	Surface mounting, Hole pitch: 60mm
Dimension	H86XW86XD30 mm

User Guide

ON/OFF: Press power button to switch ON and OFF thermostat.

Temperature Setting: Press “▼” to reduce temperature, press “▲” to raise temperature

Mode: Press “M” to change mode between Cool  Heat  and Ventilation  , mode will be confirmed by pressing other button or automatically after 6 seconds .

Fan: Press “” to change 3-speed    or Auto fan , Auto Low-speed if difference between room-temperature and set-point exceed 1°C, Auto Med-speed When exceed 2°C, Auto Hi-speed When exceed 3°C.

Backlight: Any key press will activate the backlight. Backlights will timeout 6 seconds after last key press.

Keypad Lockout: (ONLY available when Item 11 set to 1/2/3): Press “▼” and “▲” for 3 seconds to lock the buttons and press “▼” and “▲” for 3 seconds to unlock.

Functional Description

Parameter table

Switch off the thermostat and press "M" and "▲" 5 seconds to enter parameter setting menu, press the "M" or "↻" to change the item, and press ▼ ▲ to change the value, press power button "⏻" or wait 30S to exit and save all settings .

No.	Name of Parameter	Parameter definition
1	System type	0:2-pipe fan coil unit (Default) 1:4-pipe fan coil unit 2: Cool: FCU, Heat: FCU+ Floor Heating 3: Cool: FCU, Heat: Floor Heating
2	Auto Mode	0: manual (Default) 1: auto
3	Sensor type	1: internal sensor only (Default) 2: external sensor only 3: internal sensor& external sensor
4	Fan control	0: fan stop after reach temperature setpoint (Default) 1: fan continuous running after reach setpoint
5	Unoccupancy status	0: cut off all outputs 1: setback setpoint
6	Temperature Display	0 = show room temperature (Default) 1 = show setpoint
7	Display Temp. adjustment	-4C~4C(Default=0)
8	Dead band	1-4C(Default=1)
9	Auto heat pipe temperature	21~40C (Default value 22C) for 2-pipe auto mode with external sensor only
10	Auto Cool pipe temperature	10~20(Default value 18C) for 2-pipe auto mode with external sensor only
11	Keypad Lockout	0 All keys available(default) 1 All buttons locked out 2 System button Locked out 3 All buttons locked out except System
12	Power Up Status	0: System Off(default) 1: System last state before power off 2: System On
13	Energy saving-- Dry Contact (Key Card)	0: If the card is inserted, S1 and COM will be open (NC Dry Contact as Default) 1: If the card is inserted, S1 and COM will be closed (NO Dry Contact)
14	Freeze Protection	0: Disable (Default), 1: Enable
15	Programmable	1: non-programmable 2: Timer on/off (Default) 3: Programmable 4: Timer + Programmable
16	Preheat Temp.	21-50C(Default=38)
17	Minimum setpoint	5-18C (Default value=5C)
18	Cooling Setpoint setback	22-32C(Default=28)
19	Maximum setpoint	20-35C (Default value=35C)
20	Heating Setpoint setback	10-21C(Default=18)
21	Heat Delay	0~4minutes (Default=0)
22	Compressor Protection	0~4minutes (Default=0)
23	Fahrenheit/Celsius	F/C (Default=celsius)
24	Cooling only	0: Cool, Heat & Ventilation (Default) 1: Cool & Ventilation

Table Explanation

1-Selectable System Type: control 2/4-pipe fan coil unit only

2-Auto Mode: you can set your 2-pipe/4 pipe system running as manual or auto season change over

3-Sensor Type: 1: Internal sensor only. 2: external sensor only 3: the external sensor attaches to water pipe for measuring the water pipe temperature to change mode between Heat and Cool automatically, this function is **only** available under 2-pipe Fan coil (Option 1=0) and auto system (Option 2=1) at the same time System works in cooling mode if the water temperature is less than or equal to certain temperature (Default as 18°C see option 10), and work in heating mode if the water temperature is higher than or equal to certain temperature (Default as 22°C, see option 9).

4-Fan Control: when the room temperature reaches setpoint, you can set the fan stop running or continuous blowing

5-Unoccupied Status: when the hotel card is pulled out, the unoccupancy status will be: 0: no output; 1: thermostat will work in energy saving mode with setback setpoint, fan will run at low speed .

7-Display Temperature adjustment: calibrate the room temperature by the range from -4C to 4C.

8-Dead Band: the cool/heat will be only activated if differential temperature between setpoint and room temperature \geq the dead band. For example, under cooling mode, the setpoint is 25C with dead band=1C, the cool air will be only available if the room temperature \geq 26C.

9&10- Auto Heat/Cool Mode pipe temperature: **Only** available when option 01 =0, option 2=1 and option 03 =3 at the same time. means the system will work as auto change over under 2-pipe system. The fan will be only activated if the external sensor measure water in the fan coil pipe is hot or cold enough, this is for anti-freezing air blow under heating mode if the pipe water is not hot enough (temperature set range 21~40C), also for energy saving under cooling mode if the pipe water is not cold enough (temperature set range 10~20C)

11-Keypad lock: can be set to 4 types for different people authorization, the symbol  will show on the screen

12-Power Up Status: when the electricity power is failure and back again, the thermostat will follow three types: 0: keep system off; 1: keep the system original status before the power failure. 2: switch the system on automatically .

13-Energy Saving-Hotel Card function

A dry contact (such as hotel key card) can activate the energy saving mode with icon  appearing on screen.

14-Freezing protection: when thermostat is in OFF mode while the acquired temperature is below 6C, the thermostat will start heat mode until the temperature rises to 8C

17&19 Temperature Limited: you can set the Minimum cooling and Maximum heating setpoint to save energy.

18&20 under Energy saving mode (when option 13 activates), the thermostat will set the setpoint as setback temperature for energy saving.

21- Only available for item1=01(4-pipe system)

Heat relay: after the room temp. reaches the setpoint, for safety and energy saving purpose, the fan will keep running for 0~5mins.

22- Compressor Protection: delayed opening for 0-4mins, default is 3 min

24- Cooling Only: you can choose if you need heat mode in thermostat.

Modbus Setting (Only for the model number with M)

Turn off the thermostat, press and hold the "M" key for five seconds to entry the Modbus parameter. Press "M" three times to entry each item below:

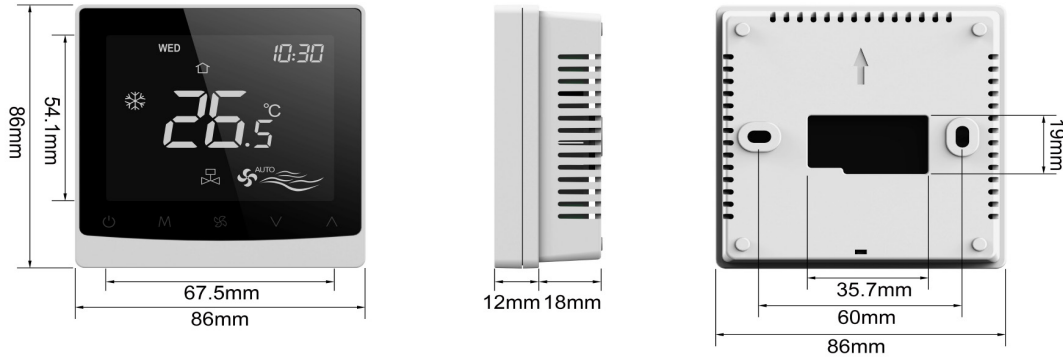
Item 01 "Address: From 01~32. Press "M" 3 times to entry item 02

Item 02 "baud rate", 01:4800, 02: 9600, 03:19200. Press "M" 3 times to entry item 03

Item 03 "Parity", 00: No Parity, 01: Odd Parity, 02: Even Parity

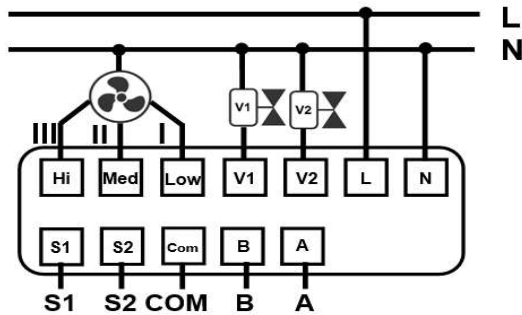
Press power button or wait 30S to exit and save all settings.

Dimension



Wiring Diagram

Model number with: 4: 2/4 pipe; A: 0-10V valve; D: Dry contact & External Sensor; M: Modbus

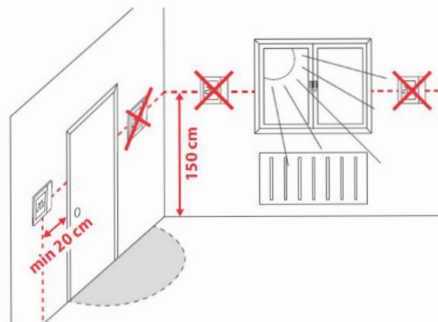


- CRW9-T-FC01M**
- 2-pipe:** V1 Cooling/Heating valve
- 4-pipe:** V1: Cooling valve
V2: Heating valve
- S1:** Dry contact
- S2:** Remote sensor
- A/B:** Modbus

Please note: If item 01=2, V1: Cooling valve, V2: Floor heating.
If item 01=3, V1: Cooling/Heating valve, V2: Floor heating.
If you use it as DX unit, the V1: Compressor, V2: Electric Heat.

Mounting and Installation

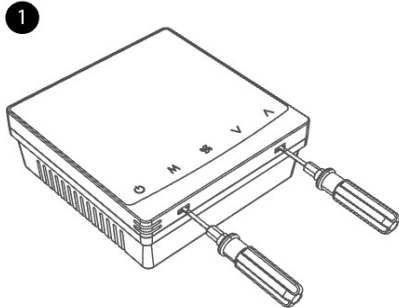
Mount the room thermostat on the conduit box. Do not mount on a wall in niches or bookshelves, behind curtains, above or near heat sources. Mount about 1.5 m above the floor



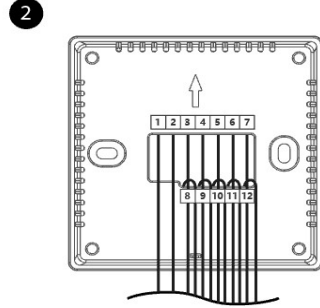
Devices must be mounted on clean, dry indoor place without direct airflow from a heating / cooling device, and not be exposed to dripping or splashing. Before removing the front cover, disconnect the power supply. Wiring, protection and earthing must be installed in compliance with local regulations.

Copyright by GRUNER AP @2024_V1. Subject to change in technology and Design.

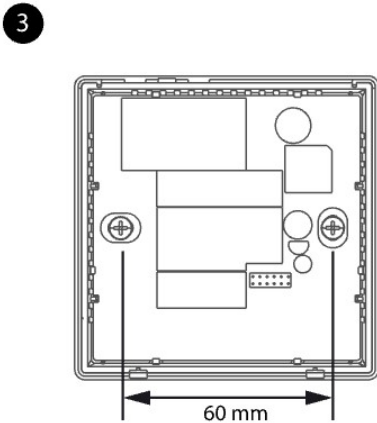
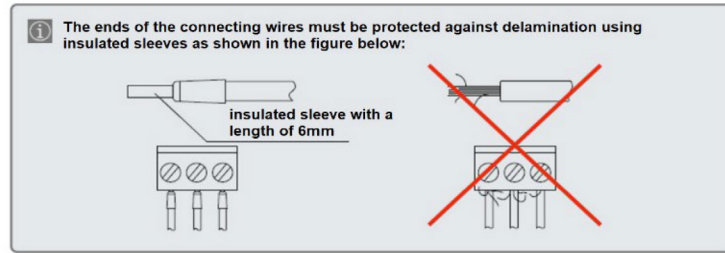
Installation



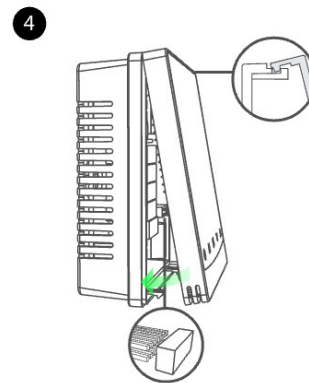
Remove the front cover by prying hooks with flat screw driver at the bottom of the front panel



Fit the front part of the casing to the top edge and make sure the pins are properly positioned. Push the front of the casing until you hear positive click.



Surface mounting in a 60 mm wall box. Make sure the back cover is in the appropriate position (according to the arrow on it)



For the convenience of installation, the first step is to wire the volt-free wires, low-voltage wires then high-voltage wires. Check the wires are property connected.

Disposal

The device is considered electronic equipment for disposal in terms of the applicable local Directive and may not be disposed of as domestic garbage.

- Device disposal through channels provided for this purpose.
- Comply with all local & currently applicable laws & regulations.

Copyright by GRUNER AP @2024_V1. Subject to change in technology and Design.