

V2FB Series

Characterized Control Valves, 2-way

Description

Suitable for closed and open warm-and cold-water HVAC systems.

Used in water side modulating control of air handling and heating HVAC systems.

Zero Leakage.

Order Code	Size / Thread	KVs Value
V2FB.15_4	DN15 / R1/2"	4.0
V2FB.20_7.5	DN20 / R3/4"	7.5
V2FB.25_15	DN25 / R1"	15.0
V2FB.32_23	DN32 / R1 1/4"	23.0
V2FB.40_35	DN40 / R1 1/2"	35.0
V2FB.50_60	DN50 / R2"	60.0



General data

Technical data

Fluid	Cold and hot water with up to 50% vol. glycol
Fluid temperature	-5...120°C
Close-Off differential pressure	1,600 kPa
Differential pressure rating	350 kPa
Operational Pressure rating	PN25
Flow characteristic	Equal percentage
Leakage rate	Zero leakage
Angle of rotation	90°
Pipe connection	Internal Thread (ISO 7-1)
Installation position	Upright (stem on top)
Service	Maintenance free

General data

Material

Body	Brass
Stem	Stainless Steel
Stem seal	EPDM O-ring
Seat	PTFE + Graphite

Functional data

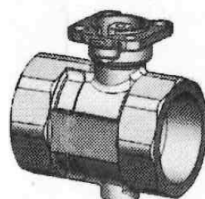
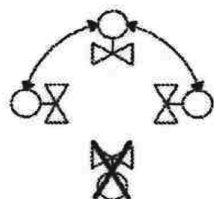
Application	Water
Installation places	Plant Rooms of Spaces

Security Notes / Disposal Notes

The valve has been designed for use in heating, ventilation and air conditioning systems. The device is not allowed to be used outside the specified field of application, especially in airplanes.

It may only be installed by suitably trained personnel. Any legal regulations or regulations issued by authorities must be observed during assembly. When determining the flow characteristic, the accepted directives must be observed. The device is not allowed to be disposed of as household refuse. All locally valid regulations and requirements must be observed.

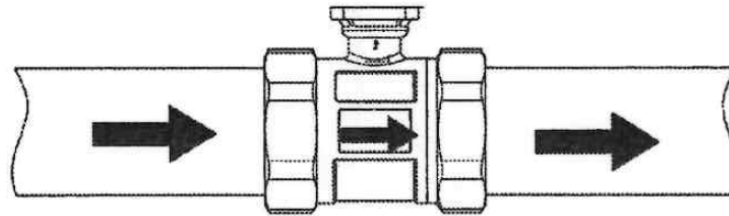
Dimensions



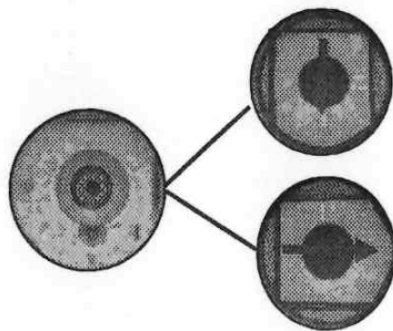
2 Way CCV
DN15-DN50, PN 25

Model	Caliber		Kvs A-AB [m ³ /h]	Connection
	DN	Inch.		
V2FB.15_4	15	1/2"	4	Threaded
V2FB.20_7.5	20	3/4"	7.5	Threaded
V2FB.25_15	25	1"	15	Threaded
V2FB.32_23	32	1 1/4"	23	Threaded
V2FB.40_35	40	1 1/2"	35	Threaded
V2FB.50_60	50	2"	60	Threaded

Medium	Chilled water, Hot water
Medium temperature	-5...120°C
Nominal Pressure	PN25
Leakage	Zero leakage
Threaded standard	ISO7-1 Rp
Valve body	Brass
Valve core	Stainless steel
Valve stem	Stainless steel
Valve seat	PTFE

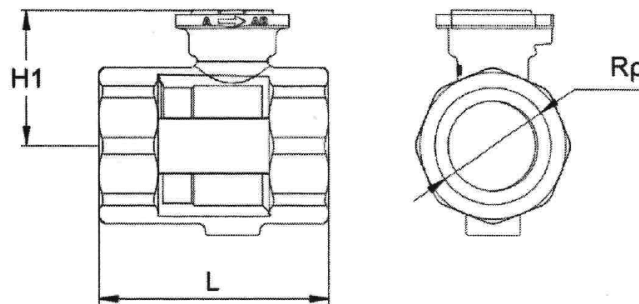


Pay attention to the flow direction during installation!
Please ensure that the valve is closed before installation!



The valve shaft is at the position shown as on the left, the valve is closed


The valve shaft is at the position shown as on the left, the valve is opened.



DN	Rp	L MM	H1 mm
15	1/2"	55	38
20	3/4"	60	42
25	1"	65	45
32	1 1/4"	80	50
40	1 1/2"	85	48
50	2"	100	60

Copyright by GRUNER AP @2025_V1. Subject to change in technology and Design.

Commonly used valve / Actuator Combination

Characterized Control Valve (CCV) / Small HVAC Equipment		Actuators										
Valve Size	Order Code	Open Close Actuators								Modulating Actuators		
		Non Spring Return Actuators										
		Picture										
		Country of origin	Germany									
		Power Supply	24V AC/DC				230V AC				24V AC/DC	
		IP Rating	IP54									
		Running Time (s)	100				100				100	
		Auxiliary switch	n.a.	x1	n.a.	x1	n.a.	x1	n.a.	x1	n.a.	n.a.
		Torque (Nm)	8	8	16	16	8	8	16	16	8	16
		Order Code	227-024-081_VNB	227-024-081-S1_VNB	227-024-161_VNB	227-024-161-S1_VNB	227-230-081_VNB	227-230-081-S1_VNB	227-230-161_VNB	227-230-161-S1_VNB	227C-024-081_VNB	227C-024-161_VNB
Close-Off pressure, max (KPa)												
DN15	V2FB.15_4	1600		1600		1600		1600				
DN20	V2FB.20_7.5	1600		1600		1600		1600				
DN25	V2FB.25_15	1600		1600		1600		1600				
DN32	V2FB.32_23	1600		1600		1600		1600				
DN40	V2FB.40_35	1600		1600		1600		1600				
DN50	V2FB.50_60	1600		1600		1600		1600				

Adapter to the 227 - actuators: 227-SHT-VB For other valve and actuator combination, please see the Gruner AP Valve / Actuator Guide.

Copyright by GRUNER AP @2025_V1. Subject to change in technology and Design.

Characterized Control Valve (CCV) / Small HVAC Equipment		Actuators								
		Open Close Actuators				Modulating Actuators				
Valve Size	Order Code	Spring Return Actuators								
		Picture								
		Country of origin	Germany							
		Power Supply	24V AC/DC							
		IP Rating	IP54							
		Running Time (s)	75/20				100/20		150/20	
		Auxiliary switch	n.a.	x2	n.a.	x2	n.a.	x2	n.a.	x2
		Torque (Nm)	5	5	10	10	5	5	10	10
		Order Code	341-024-05_VNB	341-024-05-S2F_VNB	361-024-10_VNB	361-024-10-S2_VNB	341C-024-05_VNB	341C-024-05-S2F_VNB	361C-024-10_VNB	361C-024-10-S2_VNB
			Close-Off pressure, max (KPa)							
DN15	V2FB.15_4									
DN20	V2FB.20_7.5	1200				1200				
DN25	V2FB.25_15									
DN32	V2FB.32_23	1000				1000				
DN40	V2FB.40_35	1000				1000				
DN50	V2FB.50_60			1200				1200		

Copyright by GRUNER AP @2025_V1. Subject to change in technology and Design.