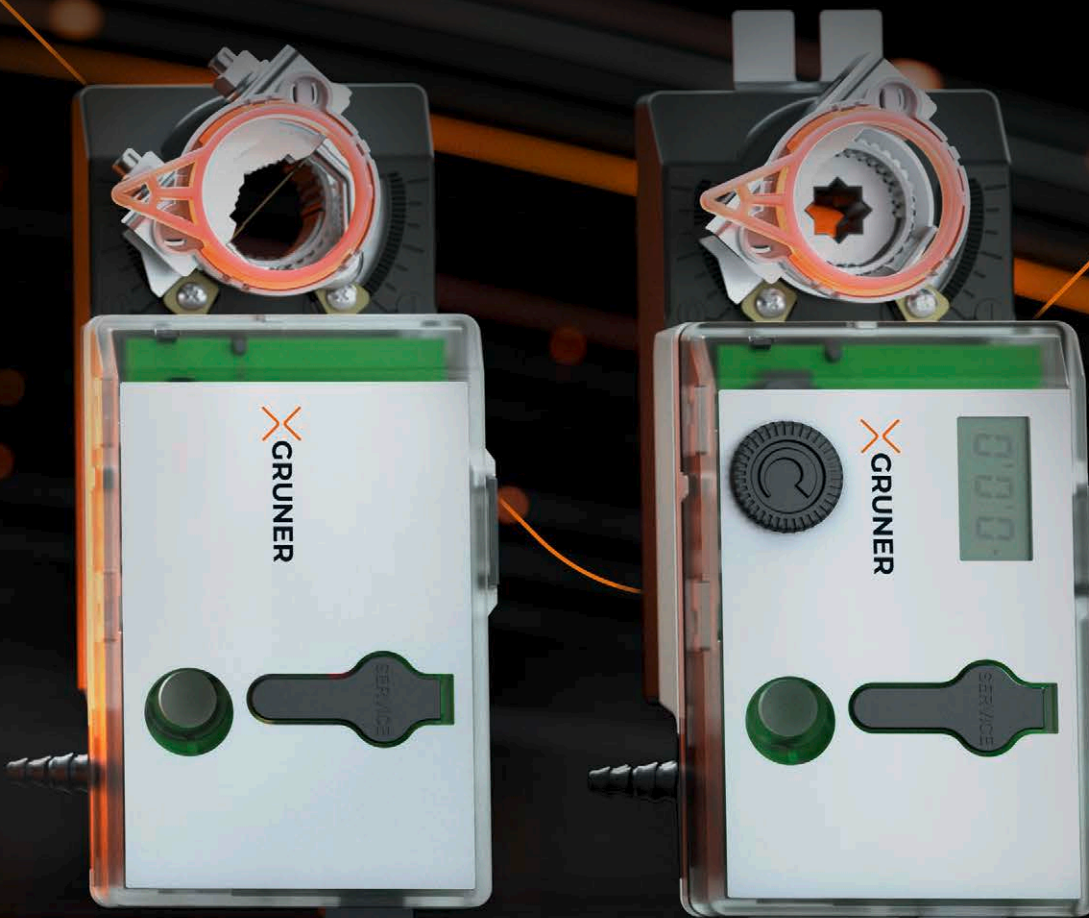


GRUNER SERVOMOTORS

COMPACT VOLUMETRIC FLOW AND PRESSURE CONTROLLERS 327 V AND 327 VM

NEW DEVELOPMENT!

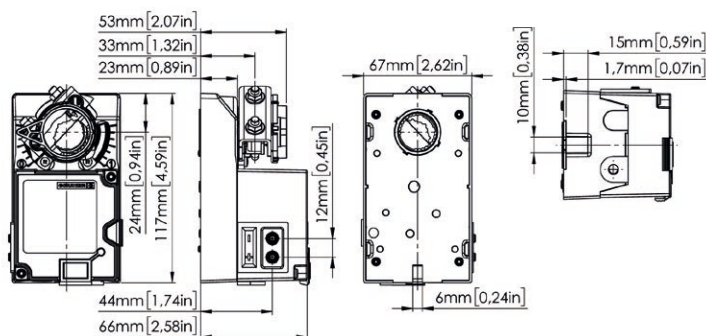


THE NEW LEADERS OF THE PACK

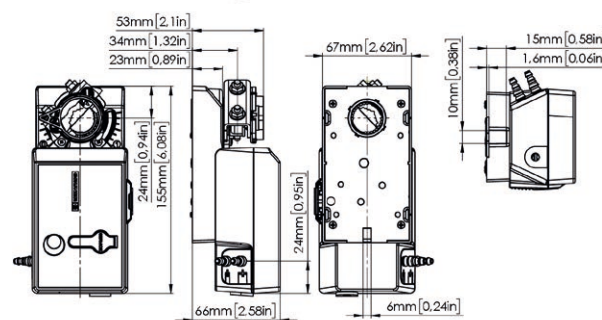
These compact controllers set new standards for the efficient and cost-optimised design of ventilation systems. Innovative dynamic and static sensors, very fast heating and response times combined with precise OEM-specific parameterisation – all to satisfy the high standards expected of climate control technology now and in the future.

COMPACT VOLUMETRIC FLOW CONTROLLER 327 V

- > Compact design
- > Test button with integrated LED to indicate power supply and for functional check
- > Service connection for parameterisation (no power supply to the **servomotor** is needed)
- > 'Boot-loader' option permits updates on location when needed
- > Measurement accuracy from 0.1 Pa
- > Dynamic differential pressure sensor or the option of a static sensor for badly contaminated measurement air
- > IR filter for sensor
($VAV_i = 0.05 * Sensor_j + 0.95 * VAV_{i-1}$)



Predecessor: 227 V



327 V



227 V

227 VMZ



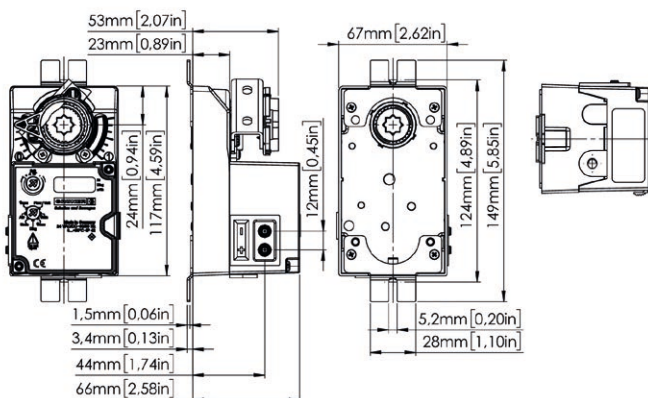
EXPIRED MODELS

Please note that the new Gruner compact volumetric flow controllers 327 V and 327 VM replace the 227 V and 227 VMZ controllers.

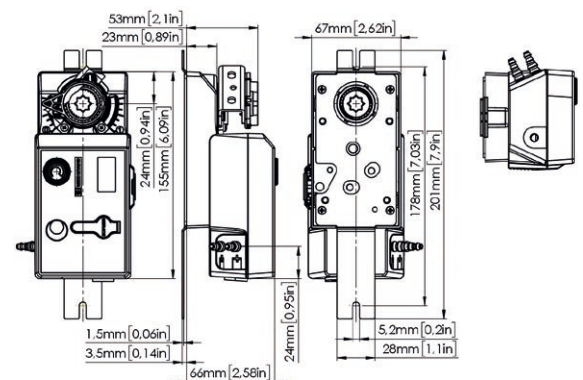
VOLUMETRIC FLOW CONTROLLER 327 VM

ALL THE BENEFITS OF THE 327 V – PLUS ADDITIONAL FUNCTIONS:

- > Display with backlighting
- > Display shows current values (volumetric flow/pressure, input signal/output signal)
- > Various settings possible via display (Vmin, Vmax, override control, mode, direction of rotation, etc.)
- > Comprehensive diagnostics and test functions



Predecessor: 227 VMZ



327 VMZ

GRUNER AG, headquartered in Wehingen with around 1,200 employees, based in Germany, Tunisia, Serbia and India, is a major manufacturer of servomotors, relays and solenoids. Our system solutions for building management, the automotive industry and medical technology are in demand around the world, featuring compelling innovation and quality.

GRUNER AG

Bürglestraße 15-17 | 78564 Wehingen | Germany
T +49 7426 948-0 | F +49 7426 948-200
info@gruner.de | www.gruner.de