

## 363-024-40-S2 Rotary Actuator

### Description

Rotary actuator for adjusting dampers in HVAC installations.

- Running time 150 s / 90°
- Torque 40 Nm
- Nominal voltage 24V AC/DC
- Control 2-/3-point
- Auxiliary switch 2x freely adjustable
- Damper size up to approx. 8 m<sup>2</sup>
- Damper coupling clamp  
∅ 9-18 mm / Ø 9-26 mm



### Technical data

#### Electrical data

<b>Nominal voltage</b>	24V AC/DC, 50/60Hz
<b>Nominal voltage range</b>	19...29 VAC/DC
<b>Power consumption motor (motion)</b>	5.5 W
<b>Power consumption standby (end position)</b>	1.5 W
<b>Wire sizing</b>	7.0 VA
<b>Control</b>	2-/3-point
<b>Feedback signal</b>	-
<b>Auxiliary switch</b>	2 x SPDT (Ag)
<b>Contact load</b>	5 (2,5) A, 250 VAC
<b>Switching point</b>	0...95°
<b>Connection motor</b>	cable 1000 mm, 3 x 0.75 mm <sup>2</sup> (halogen free)
<b>Connection feedback potentiometer</b>	-
<b>Connection auxiliary switch</b>	cable 1000 mm, 6 x 0,75 mm <sup>2</sup> (halogen free)
<b>Connection GUAC</b>	-

### Functional data

<b>Torque</b>	40 Nm
<b>Damper size</b>	up to approx. 8 m <sup>2</sup>
<b>Synchronized speed</b>	±5%
<b>Direction of rotation</b>	selected by switch
<b>Manual override</b>	gearing latch disengaged with pushbutton, self-resetting
<b>Angle of rotation</b>	0°...max. 95° can be limited with adjustable mechanical end stops
<b>Running Time</b>	150 s / 90°
<b>Sound power level</b>	< 45 dB(A)
<b>Shaft coupling</b>	clamp $\varnothing$ 9-18 mm / $\varnothing$ 9-26 mm
<b>Position indication</b>	mechanical with pointer
<b>Service life</b>	> 60'000 cycles (0° - 95° - 0°)

### Safety

<b>Protection class</b>	III (double insulation)
<b>Degree of protection</b>	IP 54
<b>EMC</b>	CE (2014/30/EU)
<b>LVD</b>	CE (2014/35/EU)
<b>RoHS</b>	CE (2011/65/EU - 2015/863/EU - 2017/2102/EU)
<b>Mode of operation</b>	Typ 1 (EN 60730-1)
<b>Rated impulse voltage supply / control</b>	0.8 kV (EN 60730-1)
<b>Control pollution degree</b>	3 (EN 60730-1)
<b>Ambient temperature normal operation</b>	-30°C...+50°C
<b>Storage temperature</b>	-30°C...+80°C
<b>Ambient humidity</b>	5...95% r.H., non-condensing (EN 60730-1)
<b>Maintenance</b>	Maintenance free

### Dimensions/Weight

<b>Dimensions</b>	193 x 96 x 60 mm
<b>Weight</b>	1700 g

## Functionality / Properties

### Operating mode

2 point:  
Connect power supply to wire 1+2, actuator drives to position 1. Is also wire 3 connected to the power supply, actuator drives to position 0.

3 point:  
Connect power supply to wire 1+2, actuator drives to position 1. Is wire 1+3 connected to the power supply, actuator drives to position 0.

The actuator is overload-proof, requires no limit switches and automatically stops, when the end stop is reached.

### Direct mounting

Simple direct mounting on the damper shaft with a clamp, protection against rotating with enclosed anti-rotation lock or rather at intended attachment points

### Manual override

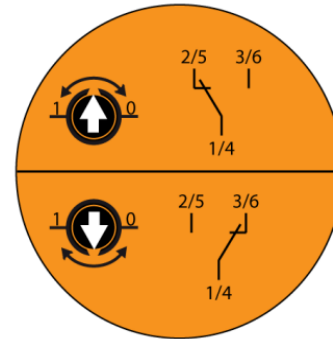
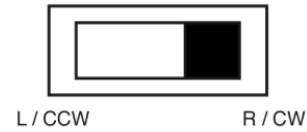
Manual override with selfresetting pushbutton possible (the gear is disengaged as long as the button is pressed).

### Signaling

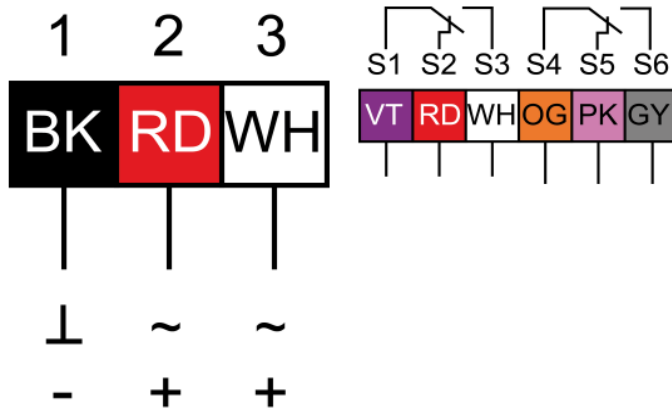
The two integrated auxiliary switches are freely adjustable in the angle of 0 - 95°. There are activated corresponding to the adjusted angle. The damper position can be checked by the mechanical pointer

### Mode switch

DIP switch under the case cover  
R / CW: rotary direction right / clockwise  
L / CWW: rotary direction left / counter clockwise



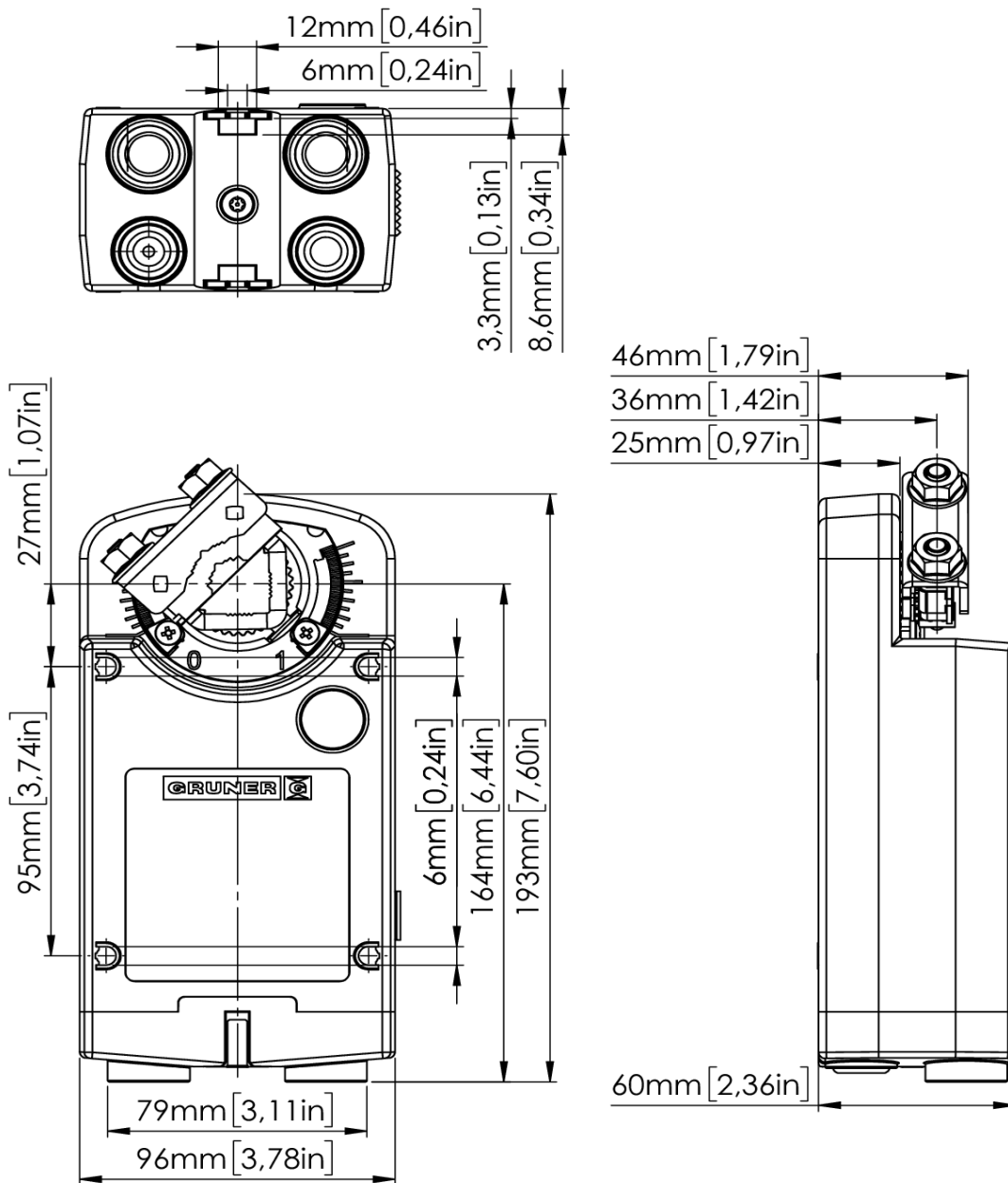
### Connector / Security Note



### Safety remarks

- Connect via safety isolation transformer!
- The device is not allowed to be used outside the specified field of application, especially in airplanes. It may only be installed by suitably trained personnel. Any legal regulations or regulations issued by authorities must be observed during assembly.
- The device may only be opened at the manufacturer's site.
- Cables must not be removed from the device.
- The cable of this actuator cannot be replaced. If the cable is damaged, the actuator should be scrapped.
- The device is not allowed to be disposed of as household refuse. All locally valid regulations and requirements must be observed.
- When calculating the required torque, the specifications supplied by the damper manufacturer's (cross section, design, installation site), and the air flow conditions must be observed.

Technical Drawing



Copyright by GRUNER AP @2025\_V1. Subject to change in technology and Design.