

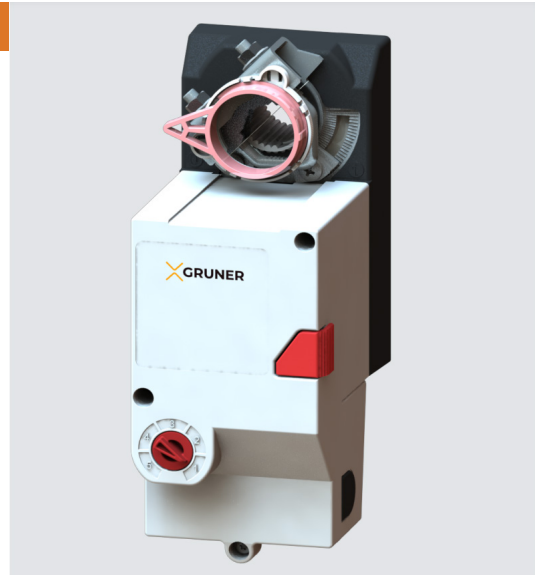
328CS-024-02A

Rotary Actuator

Description

Rotary actuator for adjusting dampers in HVAC installations

- Running time 1 s / 90°
- Torque 2 Nm
- Nominal voltage 24 VAC/DC
- Control continuous control (0)2...10 VDC
- Damper size up to approx. 0.4 m²
- Shaft coupling clamp
◇ 8-15 mm / Ø 8-20 mm



General data

Technical data

Nominal voltage	24 VAC/DC, 50/60 Hz
Nominal voltage range	19...29 VAC/DC
Power consumption motor (motion)	7.0 W
Power consumption standby (end position)	1.0 W
Wire sizing	9.0 VA
Control	Continuous control (0)2...10 VDC / Ri > (100 kΩ) 50 kΩ resolution 80 mV (0)4...20 mA / Rext. = 500 Ω resolution 0.16 mA
Feedback signal	(0)2...10 VDC, max. 5 mA
Auxiliary switch	-
Contact load	-
Switching point	-
Connection motor	Cable 1000 mm, 4 x 0,75 mm ² (halogen free)
Connection feedback potentiometer	-
Connection auxiliary switch	-
Connection GUAC	-

Functional data

Torque	2 Nm
Damper size	up to approx. 0.4 m ²
Synchronized speed	±5%
Direction of rotation	Selected by switch
Manual override	Gearing latch disengaged with pushbutton, self-resetting
Angle of rotation	0°...max. 95° can be limited with adjustable mechanical end stops ; after changing the angle of rotation, a adaptation drive must be made
Running time	1 s / 90°
Sound power level	< 55 dB(A)
Shaft coupling	clamp \varnothing 8-15 mm / \varnothing 8-20 mm
Position indication	mechanical with pointer
Service life	> 100 000 cycles (0°...95°...0°) > 1 500 000 partial cycles (max. ±5°)

Safety

Protection class	III (safety extra-low voltage)
Degree of protection	IP 54 (cable downwards)
EMC	CE (2014/30/EU)
LVD	CE (2014/35/EU)
RoHS	CE (2011/65/EU - 2015/863/EU - 2017/2102/EU)
Mode of operation	Typ 1 (EN 60730-1)
Rated impulse voltage	0.8 kV (EN 60730-1)
Control pollution degree	3 (EN 60730-1)
Ambient temperature normal operation	-30°C...+50°C
Storage temperature	-30°C...+80°C
Ambient humidity	5...95% r.H., non condensing (EN 60730-1)
Maintenance	Maintenance free

Dimensions / Weight

Dimensions	168 x 67 x 88 mm
Weight	700 g

Functionality / Properties

Operating mode

Connect power supply to wire 1+2 and a reference signal Y to wire 3 in range of (0)2...10 VDC, actuator drives to its specified position. The actual damper position (0...100%) is a feedback signal U on wire 4 for example to share with other actuators.

The actuator is overload-proof, requires no limit switches and automatically stops, when the end stop is reached. A supply of direct current (VDC) is preferred.

Direct mounting

Simple direct mounting on the damper shaft with a clamp, protection against rotating with enclosed anti-rotation lock or rather at intended attachment points.

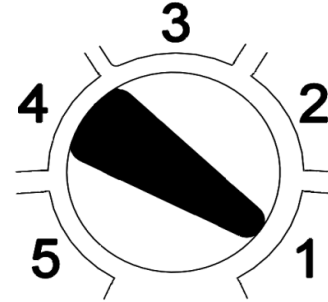
Manual override

Manual override with self resetting pushbutton possible (the gear is disengaged as long as the button is pressed).

Mode switch

Mode switch with five positions at the housing:

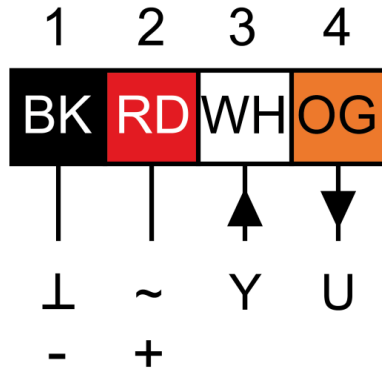
- 1: rotary direction right 2-10 VDC
- 2: rotary direction right 0-10 VDC
- 3: Adaption
- 4: rotary direction left 0-10 VDC
- 5: rotary direction left 2-10 VDC



Adaption drive

- Actuator power off
- Setting the mechanical end stops
- Actuator power on
- Adaption enable
- Actuator drive to position 0
- Actuator drive to position 1
- Adaption disable, if desired angular range reached or rather if actuator reached end stop
- "Y" refers to the measured angular range.

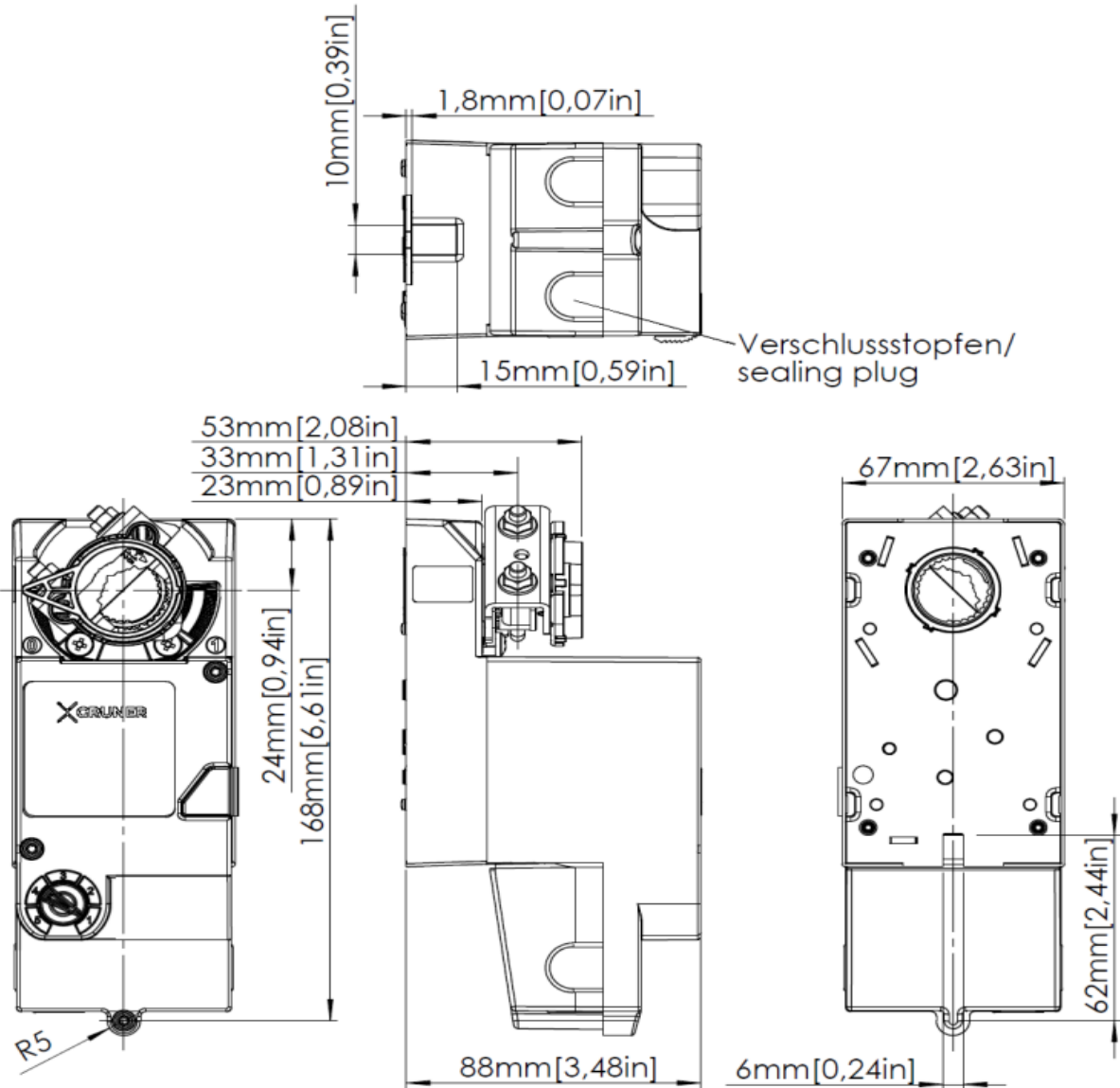
Connector / Security Note



Safety remarks

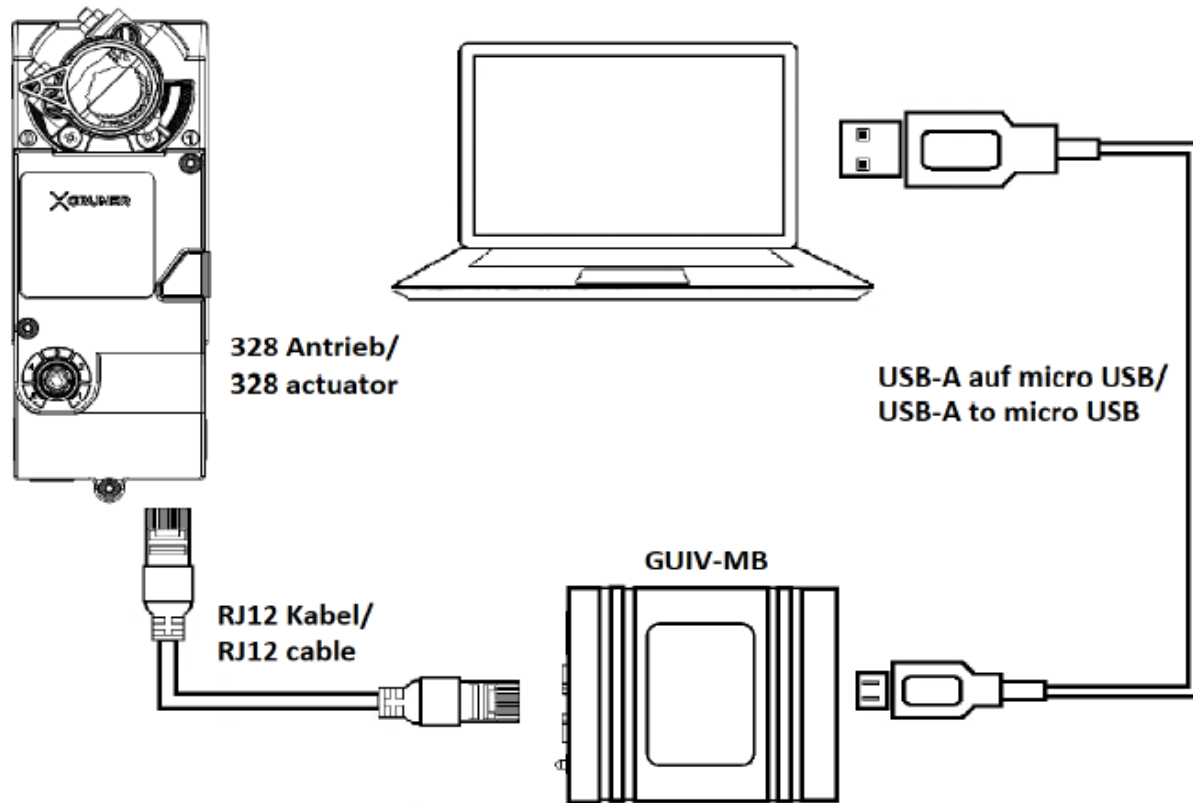
- Connect via safety isolation transformer!
- The device is not allowed to be used outside the specified field of application, especially in airplanes.
- It may only be installed by suitably trained personnel. Any legal regulations or regulations issued by authorities must be observed during assembly.
- The device may only be opened at the manufacturer's site.
- The device is not allowed to be disposed of as household refuse. All locally valid regulations and requirements must be observed.
- When calculating the required torque, the specifications supplied by the damper manufacturer's (cross section, design, installation site), and the air flow conditions must be observed

Technical Drawing



Copyright by GRUNER AP @ 2024_V1. Subject to change in technology and Design.

Connection and accessories

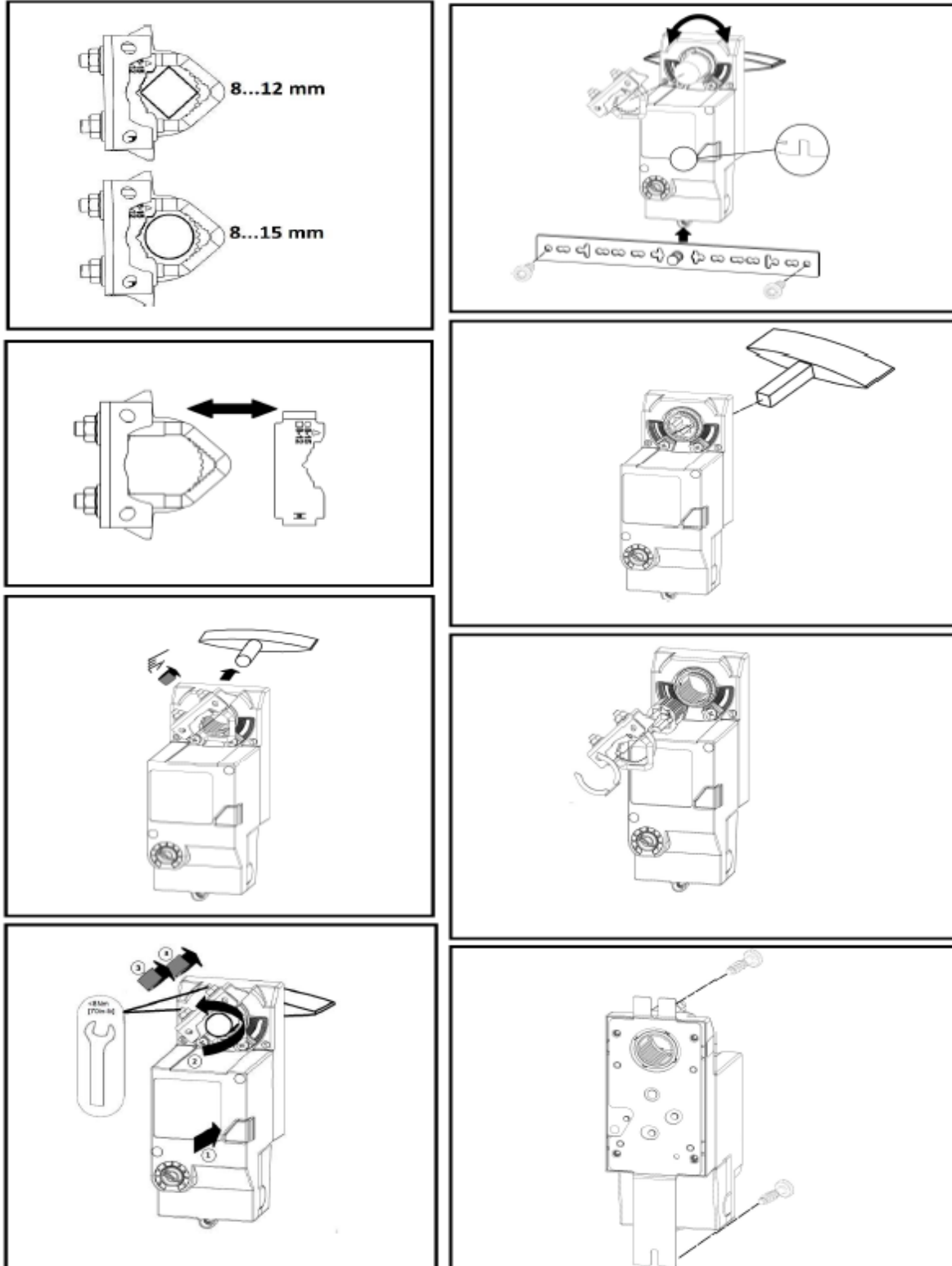


GUIV-MB Bundle:

Bestellung / Order	Bestellnummer / Order code
- GUIV-MB	47813
- RJ12 Kabel 3m / RJ12 cable 3m	47795
- USB-A auf / to Micro USB Kabel / cable 1,8m	44931
- Win-VAV2 Software	

Copyright by GRUNER AP @2024_V1. Subject to change in technology and Design.

Montage / Mounting



Copyright by GRUNER AP @2024_V1. Subject to change in technology and Design.