

## 227-024-08G(-S1) Rotary Actuator

### Description

Rotary actuator for adjusting dampers in HVAC installations.

- Running time 60 s / 90°
- Torque 8 Nm
- Nominal voltage 24 VAC/DC
- Control 2-/3-point
- Damper size up to approx. 1.6 m<sup>2</sup>
- Damper coupling clamp  
∅ 8-15 mm / Ø 8-20 mm



### Technical data

#### Electrical data

<b>Nominal voltage</b>	24 VAC/DC, 50/60Hz
<b>Nominal voltage range</b>	19...29 VAC/DC
<b>Power consumption motor (motion)</b>	3.0 W
<b>Power consumption standby (end position)</b>	1.0 W
<b>Wire sizing</b>	5.0 VA
<b>Control</b>	2-/3-point
<b>Connection motor</b>	cable 1000 mm, 3 x 0.75 mm <sup>2</sup> (halogen free)
<b>Connection feedback potentiometer</b>	-
<b>Connection GUAC</b>	-
<b>Feedback signal</b>	-
<b>227-024-08G-SI</b>	
<b>Auxiliary switch</b>	- 1 x SPDT (ag)
<b>Contact load</b>	- 5 (2.5) A, 250 VAC
<b>Switching point</b>	- 0...95°
<b>Connection auxiliary switch</b>	cable 1000 mm, 3 x 0.75 mm <sup>2</sup> (halogen free)

### Functional data

<b>Torque</b>	8 Nm
<b>Damper size</b>	up to approx. 1 m <sup>2</sup>
<b>Synchronized speed</b>	+/-5%
<b>Direction of rotation</b>	selected by switch
<b>Manual override</b>	gearing latch disengaged with pushbutton, self-resetting
<b>Angle of rotation</b>	0°...max. 95° can be limited with adjustable mechanical end stops
<b>Running Time</b>	60 s / 90°
<b>Sound power level</b>	< 35 dB(A)
<b>Shaft coupling</b>	clamp $\varnothing$ 8-15 mm / $\varnothing$ 8-20 mm
<b>Position indication</b>	mechanical with pointer
<b>Service life</b>	> 100,000 cycles (0°...95°...0°)

### Safety

<b>Protection class</b>	III (safety extra-low voltage)
<b>Protection class auxiliary switch</b>	II (double insulation)
<b>Degree of protection</b>	IP 54 (cable downwards)
<b>EMC</b>	CE (2014/30/EU)
<b>LVD</b>	CE (2014/35/EU)
<b>RoHS</b>	CE (2011/65/EU - 2015/863/EU - 2017/2102/EU)
<b>Mode of operation</b>	Typ 1 (EN 60730-1)
<b>Rated impulse voltage supply / control</b>	0.8 kV
<b>Rated impulse voltage auxiliary switch</b>	4 kV (EN 60730-1)
<b>Control pollution degree</b>	3 (EN 60730-1)
<b>Ambient temperature normal operation</b>	-30°C...+50°C
<b>Storage temperature</b>	-30°C...+80°C
<b>Ambient humidity</b>	5...95% r.H., non-condensing
<b>Maintenance</b>	Maintenance free

### Dimensions/Weight

<b>Dimensions</b>	117 x 67 x 66 mm
<b>Weight</b>	350 g
<b>Weight (S1)</b>	510 g

## Functionality / Properties

### Operating mode

2 point:

Connect power supply to wire 1+2, actuator drives to position 1. Is also wire 3 connected to the power supply, actuator drives to position 0.

3 point:

Connect power supply to wire 1+2, actuator drives to position 1. Is wire 1+3 connected to the power supply, actuator drives to position 0.

The actuator is overload-proof, requires no limit switches and automatically stops, when the end stop is reached.

### Direct mounting

Simple direct mounting on the damper shaft with a clamp, protection against rotating with enclosed anti-rotation lock or rather at intended attachment points.

### Manual override

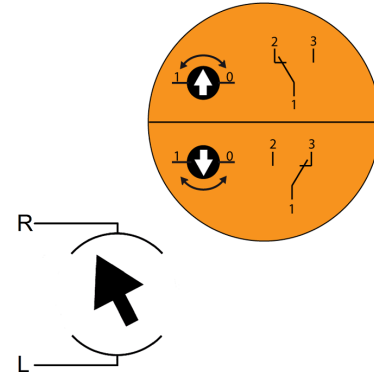
Manual override with self resetting pushbutton possible (the gear is disengaged as long as the button is pressed).

### Signaling

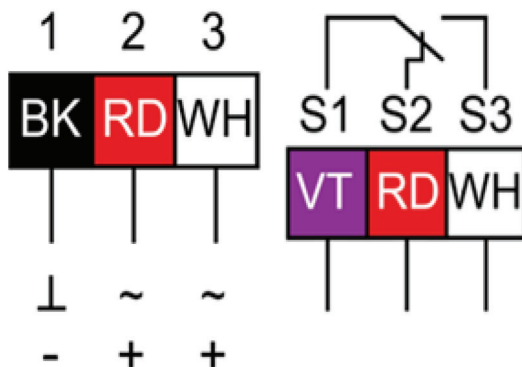
The integrated auxiliary switch is freely adjustable in the angle of 0 - 95°. There is activated corresponding to the adjusted angle. The damper position can be checked by the mechanical pointer.

### Mode switch

Mode switch with two positions at the housing:  
R: rotary rotation right / clockwise  
L: rotary rotation



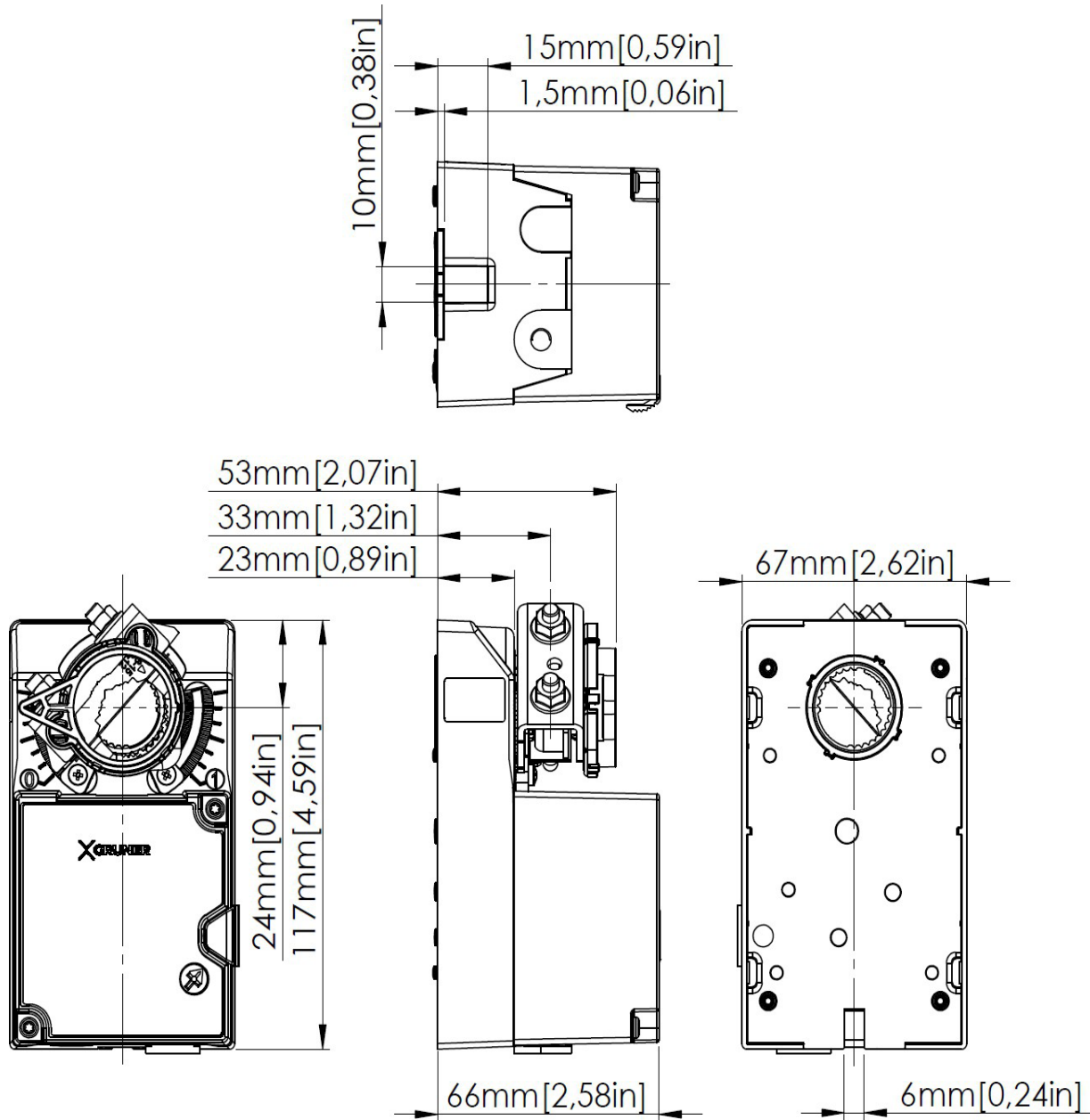
## Connector / Security Note



### Safety remarks

- Caution: power supply voltage!
- The device is not allowed to be used outside the specified field of application, especially in airplanes.
- It may only be installed by suitably trained personnel. Any legal regulations or regulations issued by authorities must be observed during assembly.
- The device may only be opened at the manufacturer's site.
- The device is not allowed to be disposed of as household refuse. All locally valid regulations and requirements must be observed.
- When calculating the required torque, the specifications supplied by the damper manufacturer's (cross section, design, installation-site), and the air flow conditions must be observed.

Technical Drawing



Copyright by GRUNER AP @2024\_V1. Subject to change in technology and Design.